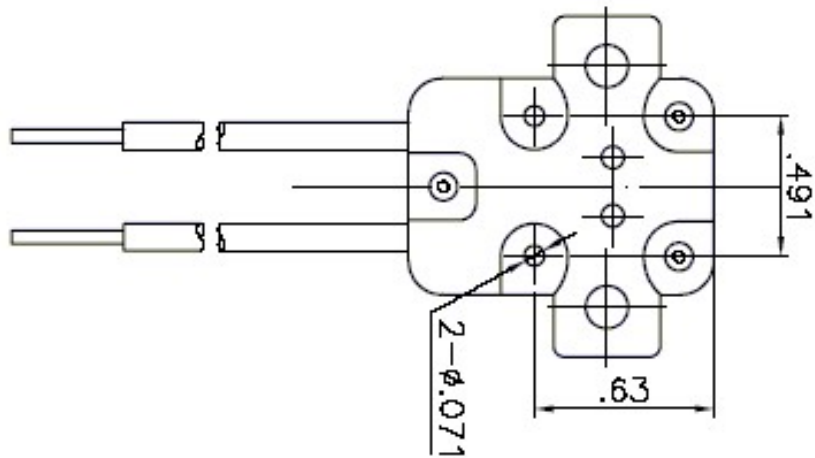
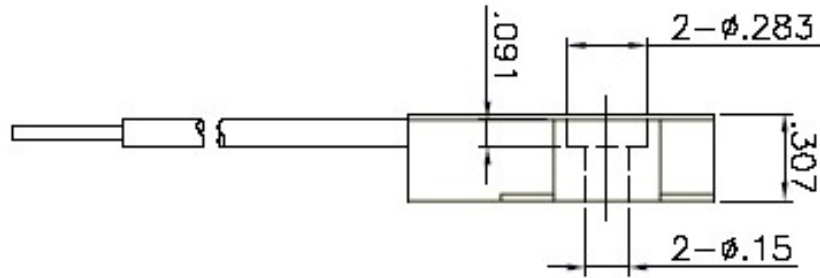
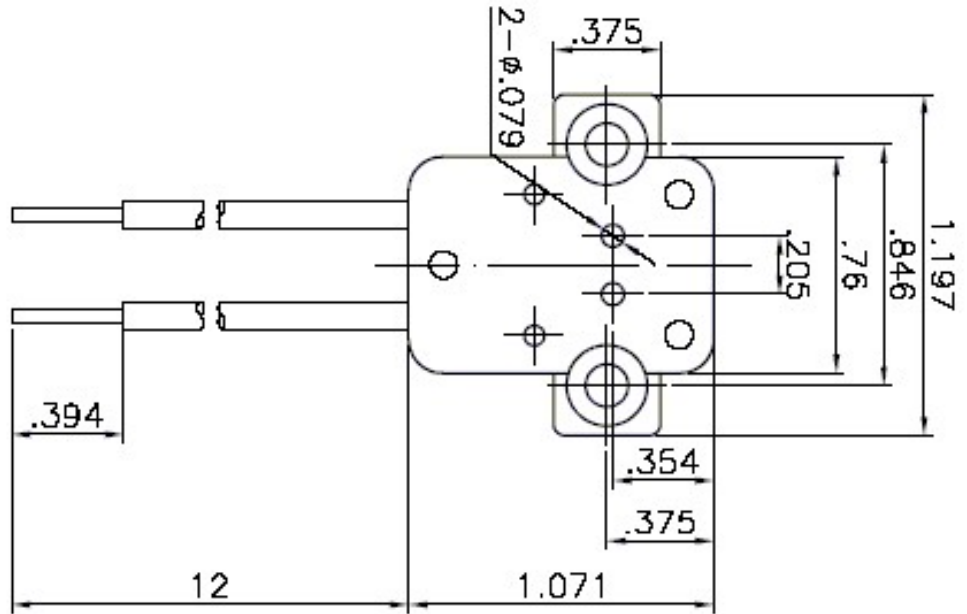




# Mitronix

Part #: G58-SHE



**NOTES:**

- 1.) Socket body: Steatite
- 2.) Contacts: Nickel
- 3.) Cover: Mica
- 4.) Leads: 18 Awg UL3122 200° C